

Fully Integrated Dishwasher

CLASSIC PLUS	G 4977 Vi SF, G 4977 SCVi SF
CLASSIC PLUS 3D	G 4998 Vi, G 4998 Vi SF, G 4998 SCVi, G 4998 SCVi SF
CRYSTAL	G 6665 SCVi, G 6665 SCVi SF
DIMENSION	G 6785 SCVi, G 6785 SCVi SF
LUMEN	G 6875 SCVi, G 6875 SCVi SF, G 6885 SCVi K2o
DIAMOND	G 6987 SCVi K2o



Fully Integrated Dishwasher

SPECIFICATIONS	
Overall Unit Dimensions	23 ⁹ / ₁₆ " (598mm) W x 33 ¹¹ / ₁₆ " - 36 ¹ / ₄ " (855 - 920mm) H x 22 ⁷ / ₁₆ " (570mm) D
Niche	
Minimum Cabinet Opening Dimensions	23 ⁵ / ₈ " (600mm) W x 33 ³ / ₄ " (857mm) H X 22 ⁷ / ₁₆ " (570mm) D
Plumbing	
Water Supply Requirements	May be connected to a cold or hot water supply up to a maximum of 140°F/60°C. Must be connected to a shut-off valve with a male 3/8" compression. The water shut-off valve must be accessible after installation. The water pressure must be between 7.25 psi (0.5 bar) and 145 psi (10 bar). If the pressure is higher than 145 psi (10 bar), a pressure reducing valve must be installed.
Water Connection Line	4' 11" (1.5 m) flexible water intake hose is supplied with a 3/8" compression connection.
Drain Hose	4' 11" (1.5 m) flexible drain hose with a 7/8" (22 mm) internal diameter is supplied. The drain hose length must not be longer than 13' 1 1/2" (4 m) and the delivery head must not exceed 3' 3 3/8" (1 m).
Electrical	
Electrical Requirements	110V / 120V, 60Hz, 15 Amps
Power Cord	NEMA 5-15 plug, 3' 11" (1.2 m) (Measured from back of unit, convertible to hardwire)
Shipping	
Shipping Weight	121 lbs (55 kg)
Shipping Dimensions	27 ¹ / ₈ " W x 38 ¹ / ₈ " H x 26 ³ / ₈ " D
Support	
Call Miele	(800) 999-1360
Miele Website	www.mieleusa.com
20/20 Link	2020technologies.com

Custom Panel Ready

Classic Plus 3D



G 4998 Vi
Item 21499861USA
G4998 SCVi
Item 21499862USA

Crystal



G 6665 SCVi
Item 21666562USA

Dimension



G 6785 SCVi
Item 21678562USA

Lumen



G 6875 SCVi
Item 21687562USA
G 6885 SCVi K2o
Item 21688562USA

Diamond



G 6987 SCVi K2o
Item 21698762USA

Pre-Finished

Classic Plus



G 4977 Vi SF
Item 21497763USA
G4977 SCVi SF
Item 21497764USA

Classic Plus 3D



G 4998 Vi SF
Item 21499863USA
G4998 SCVi SF
Item 21499864USA

Crystal



G 6665 SCVi SF
Item 21666563USA

Dimension



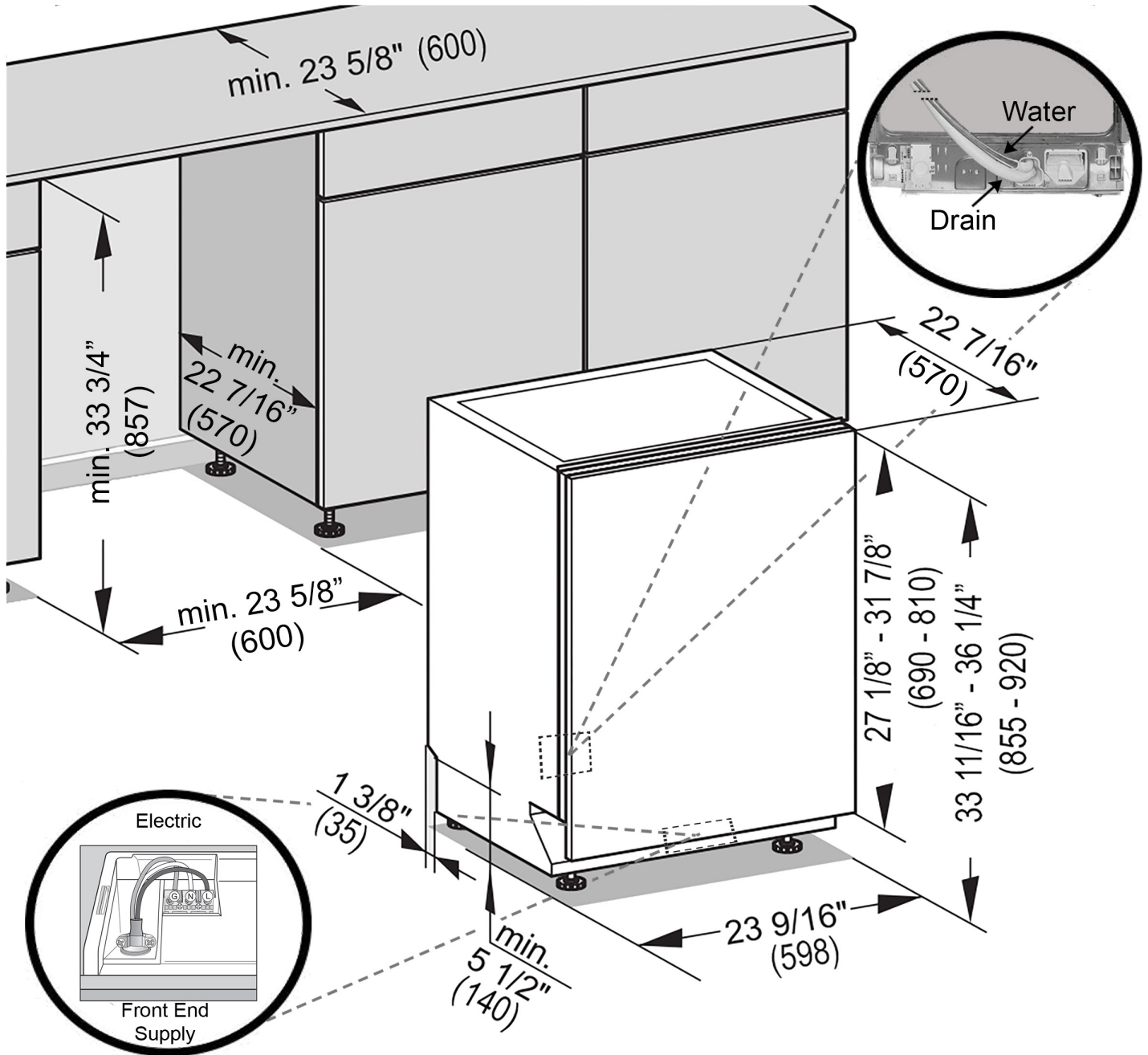
G 6785 SCVi SF
Item 21678563USA

Lumen



G 6875 SCVi SF
Item 21687563USA

INSTALLATION SPECIFICATIONS

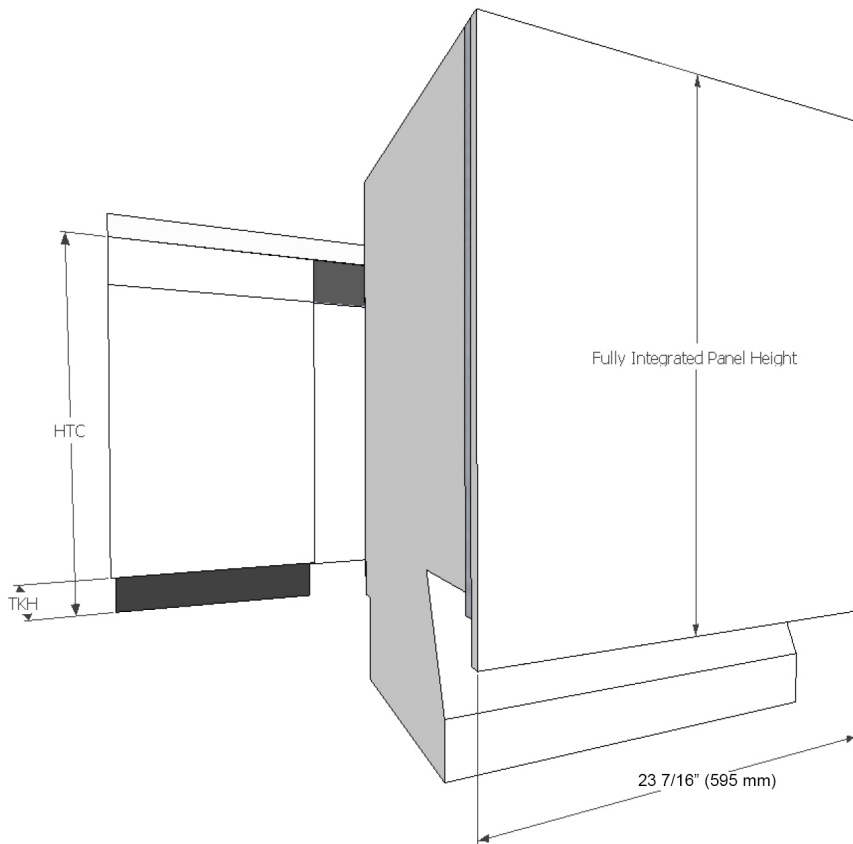


- Drain** - 4 ft 11 in (1.5 m) flexible drain hose. (Connects from lower center rear)
- Water** - 4 ft 11 in (1.5 m) flexible water intake hose with 3/8" compression fitting. (Connects from lower center rear)
- Electric** - 4 ft 11 in (1.5 m) 120V 15 A 3 wire molded NEMA 5-15 plug power supply. (Connects via Front End Supply or may be hardwired)

Fully Integrated Dishwasher

CUSTOM PANEL DETAILS

Some Miele dishwashers do not come equipped with a front panel. These dishwashers are designed to accept a custom door panel supplied by a cabinet maker. Miele has a unique panel integration system which allows the dishwasher to align with the surrounding cabinets.



Width: 23 7/16" (595 mm) in all Cases
Thickness: 3/4" (19 mm) in all Cases
Height: Determined using the following calculation:

$$\text{Panel Height} = \text{HTC} - \text{TKH}$$

HTC = Height to the underside of countertop
TKH = Toe kick height

Note: Control panel is along the top edge of the unit. It is not visible when the unit is closed. A handle **MUST** be located on front of panel in order to open unit. (Except K2o models).

Maximum panel height: 31 7/8" (810 mm)

Minimum panel height: 27 1/8" (690 mm)

Maximum panel weight: 21 lbs (9.5 kg)

Miele Stainless Steel GFVi Panels

Miele offers pre-fabricated stainless steel panels for all fully integrated units. These panels are designed for various toe-kick heights and offer a choice of handle options. See Miele Product Brochure for more info.


For Knock2open (K2o) models, an additional kit is required for use with stainless steel panel. Please contact Miele for further details.


Fully Integrated Dishwasher

POSSIBLE TOEKICK HEIGHT + CABINET HEIGHT COMBINATION

Height to underside of countertop

	33 3/4	34	34 1/4	34 1/2	34 3/4	35	35 1/4	35 1/2	35 3/4	36
2 1/2	Acceptable combinations	Acceptable combinations	Acceptable combinations	Acceptable combinations	Acceptable combinations					
3	Acceptable combinations	Acceptable combinations	Acceptable combinations	Acceptable combinations	Acceptable combinations	Acceptable combinations	Acceptable combinations	Acceptable combinations		
3 1/2	Acceptable combinations	Acceptable combinations	Acceptable combinations	Acceptable combinations	Acceptable combinations	Acceptable combinations	Acceptable combinations	Acceptable combinations	Acceptable combinations	Acceptable combinations
4	Acceptable combinations	Acceptable combinations	Acceptable combinations	Typical American installation	Acceptable combinations	Acceptable combinations	Acceptable combinations	Acceptable combinations	Acceptable combinations	Acceptable combinations
4 1/2	Acceptable combinations	Acceptable combinations	Acceptable combinations	Acceptable combinations	Acceptable combinations	Acceptable combinations	Acceptable combinations	Acceptable combinations	Acceptable combinations	Acceptable combinations
5	Acceptable combinations	Acceptable combinations	Acceptable combinations	Acceptable combinations	Acceptable combinations	Acceptable combinations	Acceptable combinations	Acceptable combinations	Acceptable combinations	Acceptable combinations
5 1/2	Acceptable combinations	Acceptable combinations	Acceptable combinations	Acceptable combinations	Acceptable combinations	Acceptable combinations	Acceptable combinations	Acceptable combinations	Acceptable combinations	Acceptable combinations
6	Acceptable combinations	Acceptable combinations	Acceptable combinations	Acceptable combinations	Acceptable combinations	Acceptable combinations	Acceptable combinations	Acceptable combinations	Acceptable combinations	Acceptable combinations
6 1/2	Acceptable combinations	Acceptable combinations	Acceptable combinations	Acceptable combinations	Acceptable combinations	Acceptable combinations	Acceptable combinations	Acceptable combinations	Acceptable combinations	Acceptable combinations
7			Acceptable combinations	Acceptable combinations	Acceptable combinations	Acceptable combinations	Acceptable combinations	Acceptable combinations	Acceptable combinations	Acceptable combinations
7 1/2						Acceptable combinations	Acceptable combinations	Acceptable combinations	Acceptable combinations	Acceptable combinations
8									Acceptable combinations	Acceptable combinations
8 1/2										

 Acceptable combinations

 Typical American installation